

FRELAN



HARDWARE

THE NAME OF QUALITY
ARCHITECTURAL
HARDWARE

FITTING INSTRUCTIONS



BATHROOM LEVER FURNITURE

www.frelan.co.uk

Fitting instructions

Bathroom Lever Furniture

Fig.1 SCREW FIXING

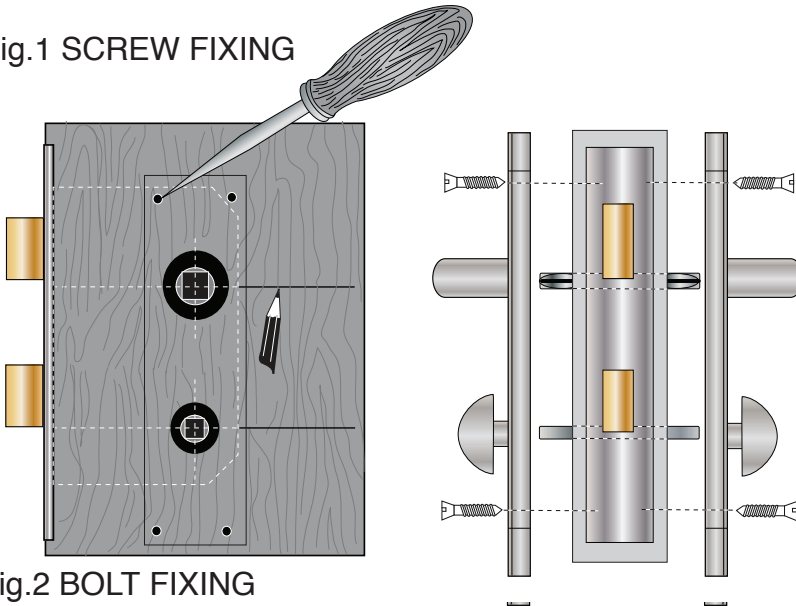


Fig.2 BOLT FIXING

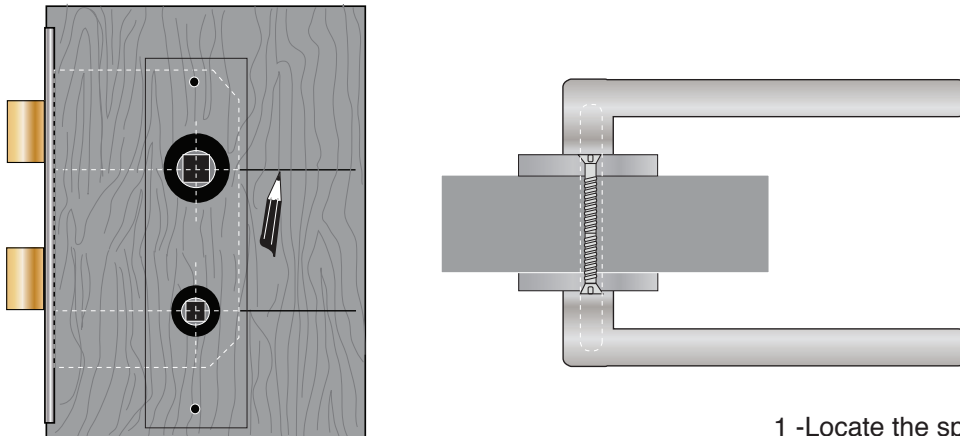
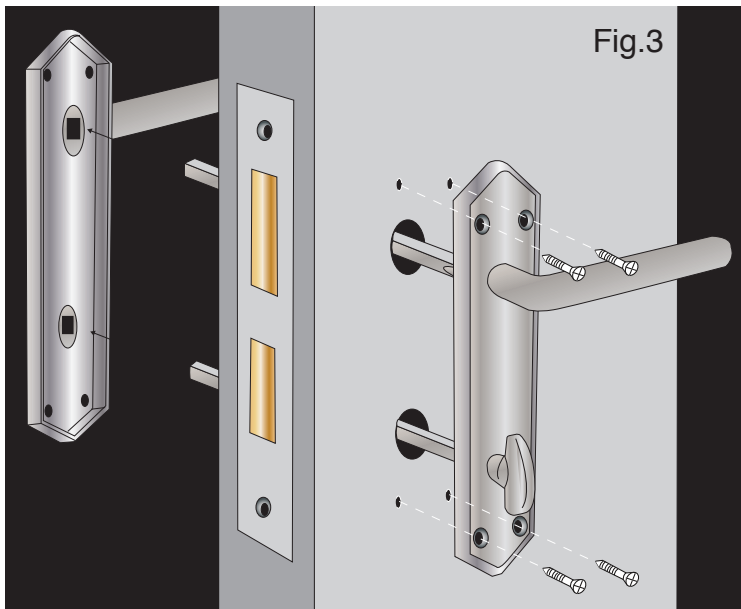


Fig.3



1 -Locate the spindle through the square hole in the bathroom lock and attach the backplates onto the spindle on each side of the door.

2 – Mark the screw or bolt holes with a bradawl. (Fig 1-2)

3 – Remove the backplates and spindles.

4 – Drill pilot holes for the screws or drill through the door for bolts. (Fig 1-2)

5 – Fit both the 8mm spindle in the upper part of the lock and the 5mm in the lower part of the lock.

6 – Fit the furniture making sure that the spindles project equally on both sides. (Fig 3)

7 – Screw the furniture to the door with screws provided or fit bolts through the door and tighten. (Fig 1-2)

8 – Tighten grub screws where applicable on the handle, thumbturn and release to secure spindles. (Fig 4)