

FRELAN



HARDWARE

THE NAME OF QUALITY
ARCHITECTURAL
HARDWARE

FITTING INSTRUCTIONS



DIGITAL DOOR VIEWER

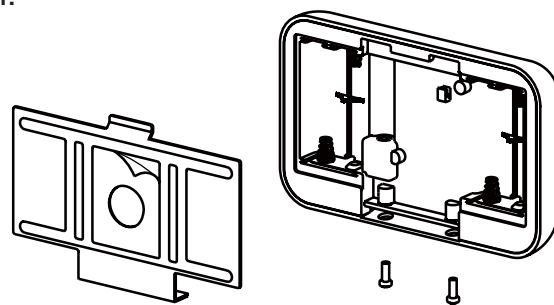
www.frelan.co.uk

Fitting instructions

DIGITAL DOOR VIEWER

Attention:

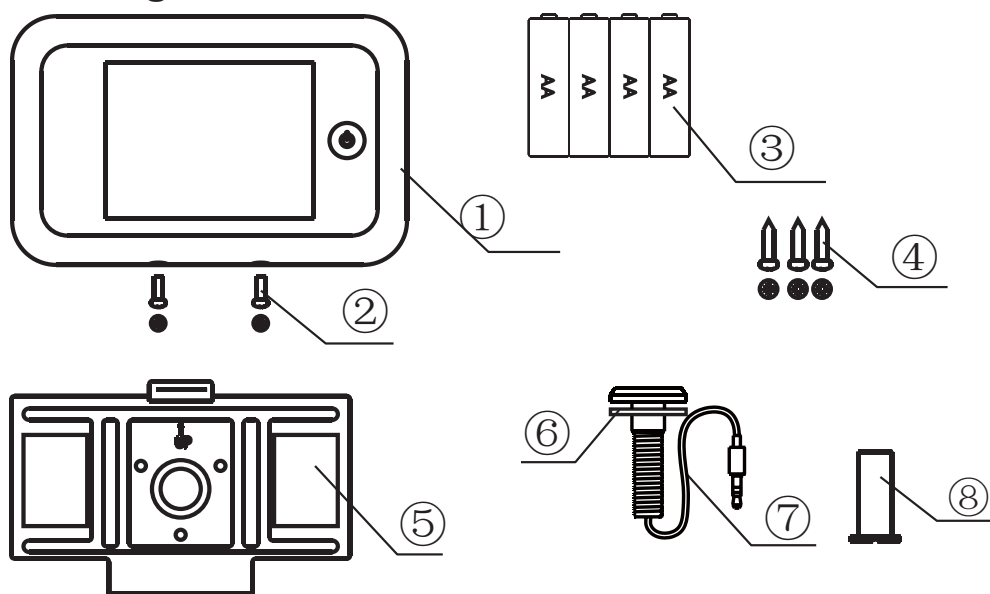
1. Please read the instruction manual before use.
2. DO NOT disassemble the camera or the mainbody.
3. Handle with care.
4. Please unscrew both screws from the bottom of the digital door viewer, take out the holding plate and take off the plastic cover and prepare to install.



Battery:

Dispose of the used batteries appropriately, DO NOT bury or burn the batteries and keep them away from children. DO NOT swallow. DO NOT re-charge or disassemble the batteries

Package Contents:



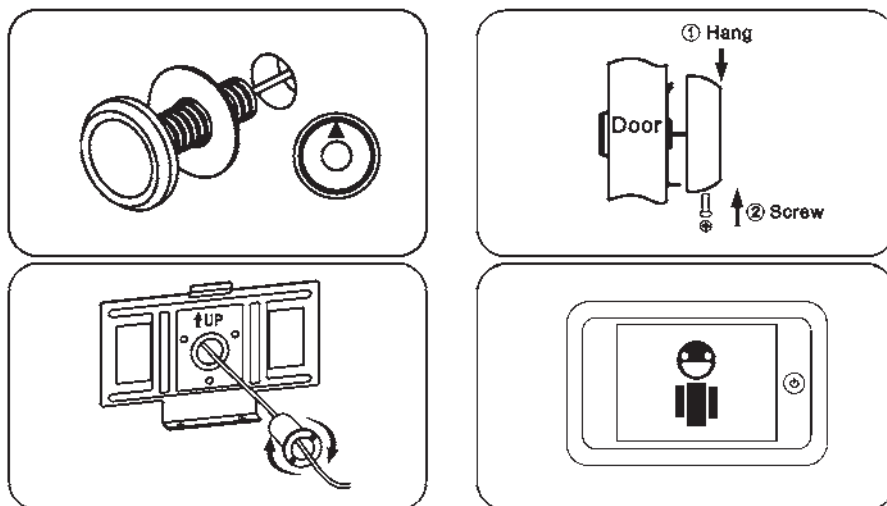
- | | | |
|-----------------------|------------------|-----------------------|
| ① Digital door viewer | ④ Screws | ② Locking bolts 2 pcs |
| ③ 4 AA batteries | ⑦ Camera | ⑤ Holding plate |
| ⑥ Washer | ⑧ Locking barrel | |

Before installation:

Prior to mounting the peephole viewer, please make sure you have installed the batteries included.

Installation:

1. Replace the existing door viewer or drill a 14mm hole in the door at eye level. Insert the camera from the outside while inserting the washer between the back of the lens and the door. Make sure that the arrow mark on the front of the camera points upwards.
2. Fit the holding plate over the end of the lens then screw the locking barrel on to the threaded part of the camera and tighten, this will hold the plate to the door. You can then secure the plate with 2 or 3 screws (provided). Make sure that the arrow on the plate points upwards.
3. The wire of camera should be connected to the socket in the back of the digital door viewer, excess wire should be attached behind the small hook.
4. Hook the digital door viewer over the bracket at the top of the locking plate and secure with two small bolts through the holes in the bottom of the case.



Operation:

1. Power Button: Press and release the power button, then the unit will continue working for the next 10 seconds.

2. Light Indicator: If the light indicator turns on, please replace the batteries.

Specification:

Fits any door:	40-70mm (1.57"-2.76") thick
Fits any barrel hole:	14-22mm
Sensor:	0.3 Mega Pixel CMOS
LCD screen:	3.5" TFT
Power source:	4A Batteries
Size:	135(W)x85(H)x24.5(D)mm
Weight:	350g