

FRELAN



HARDWARE

THE NAME OF QUALITY
ARCHITECTURAL
HARDWARE

FITTING INSTRUCTIONS



LEVER LATCH FURNITURE

www.frelan.co.uk

Fitting instructions

Lever Latch Furniture

Fig.1 SCREW FIXING

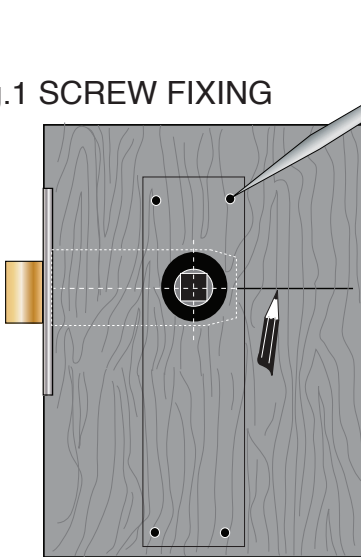


Fig.2 BOLT FIXING

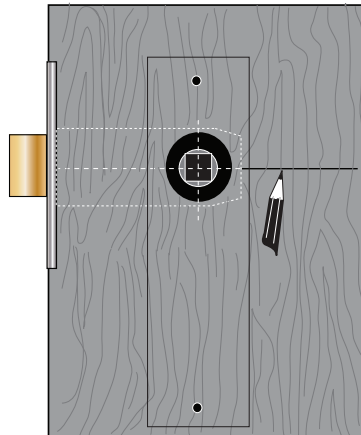


Fig.1

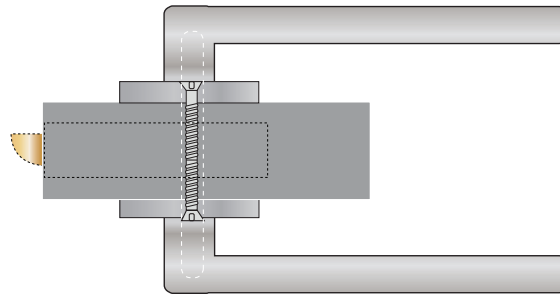
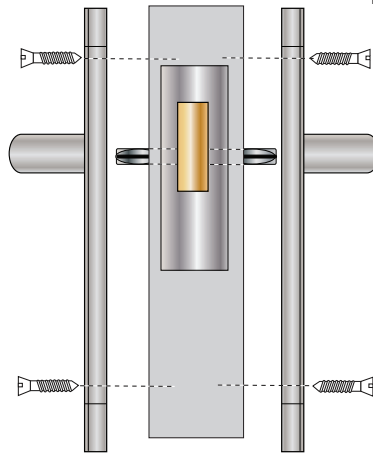
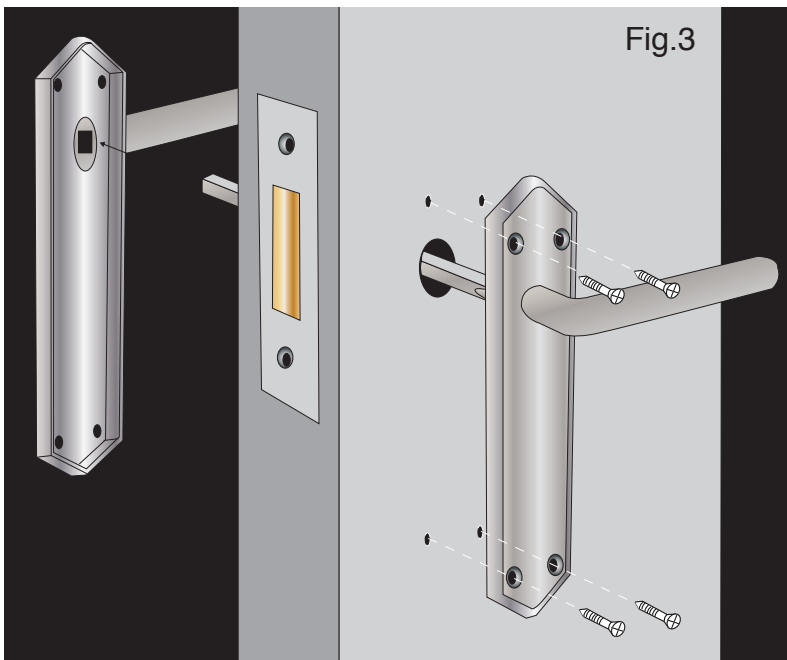


Fig.4

Fig.3



1 -Locate the spindle through the square hole in the latch and attach the backplates onto the spindle on each side of the door.

2 – Mark the screw or bolt holes with a bradawl. (Fig 1-2)

3 – Remove the backplates and spindles.

4 – Drill pilot holes for the screws or drill through the door for bolts. (Fig 1-2)

5 – Fit the furniture locating the spindle through the square hole in the lock; make sure the spindle projects equally on both sides of the door. (Fig 3)

6 – Screw the furniture to the door with screws provided or fit bolts through the door and tighten. (Fig 1-2)

7 – Tighten the grub screws where applicable to secure the spindle. (Fig 4)