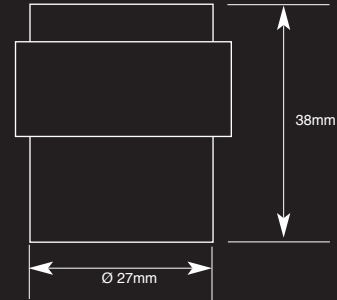




CYLINDRICAL FLOOR MOUNTED DOOR STOPS

38MM X 27MM

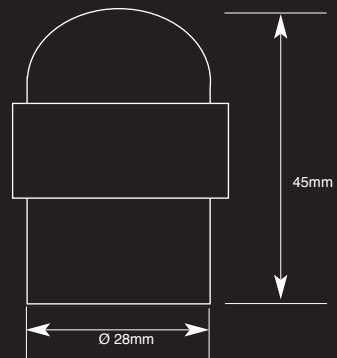


Code	Finish	Quantity
JV9565PC	PC	EACH
JV9565SC	SC	EACH



DOME TOPPED FLOOR MOUNTED DOOR STOP

45MM X 28MM



Code	Finish	Quantity
JV9560PC	PC	EACH
JV9560SC	SC	EACH
JV9560SN	SN	EACH