

FRELAN



HARDWARE

THE NAME OF QUALITY
ARCHITECTURAL
HARDWARE

FITTING INSTRUCTIONS



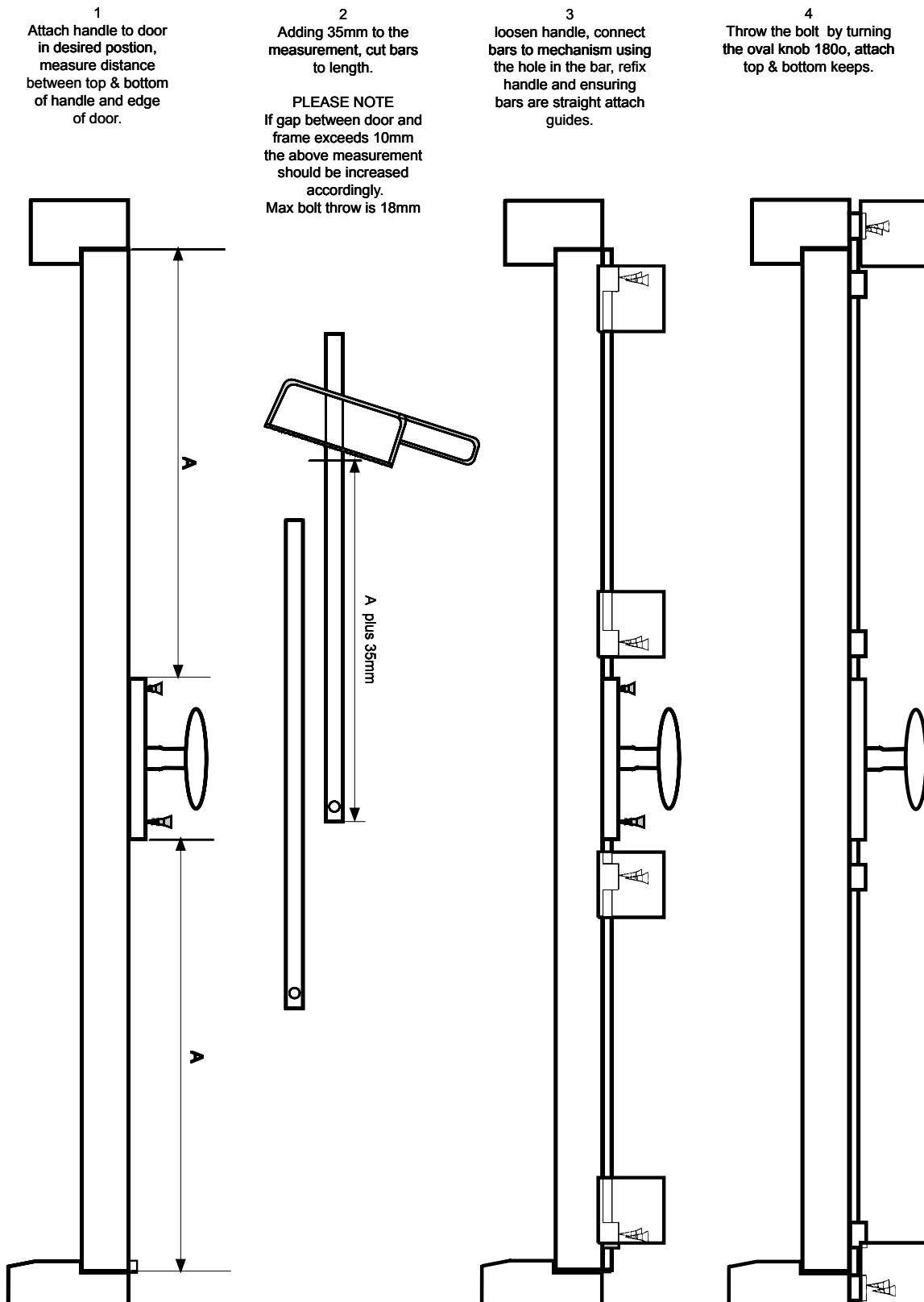
ESPAGNOLETTE BOLT JV1000

www.frelan.co.uk

Fitting instructions

Espagnolette Bolt JV1000

Standard inward opening fixing detail for Espagnolette Bolt JV1000



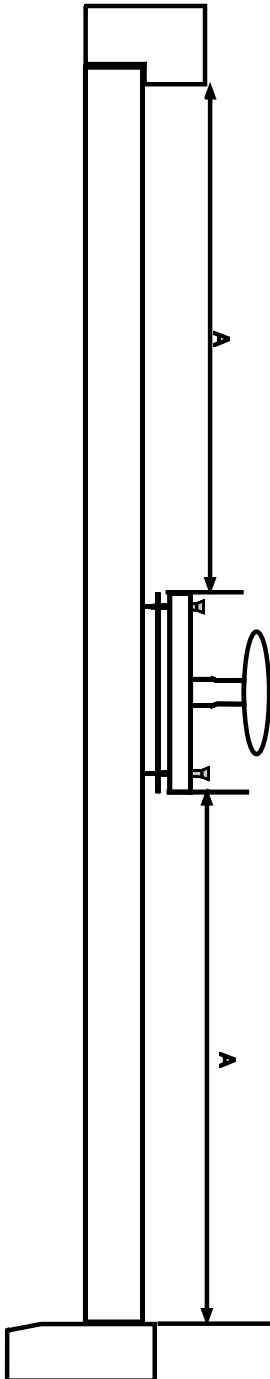


Fitting instructions

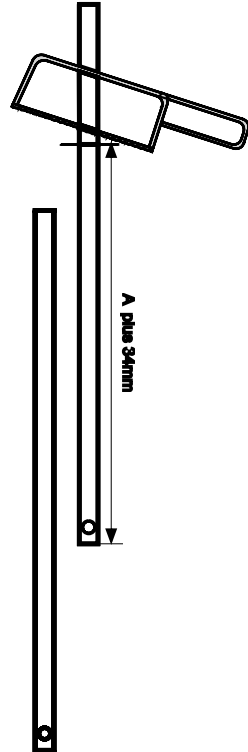
Espagnolette Bolt JV1000

Standard outward opening fixing detail for Espagnolette Bolt JV1000

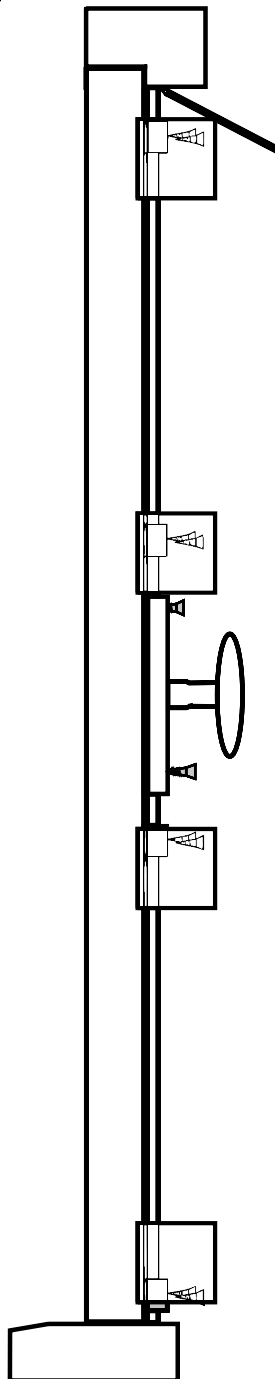
1
Attach handle to door in desired position, measure distance between top & bottom of handle and edge of door.



2
Adding 34mm to the measurement, cut bars to length.



3
loosen handle, connect bars to mechanism using the hole in the bar, re-fix handle and ensuring bars are straight attach guides
Mark around the top & bottom of bars to determine hole position



4
Position the strike plate centrally over the marked position ensuring the aperture is level to the bottom edge of the line.
Mark position and form hole at least 18mm deep, fix plate.

Please note:
If you are using the angled plate this will need to be recessed flush to the edge of the frame.

